

多层信号灯固定支架

本公司多层信号灯根据安装环境和条件,可以选择多种固定支架。


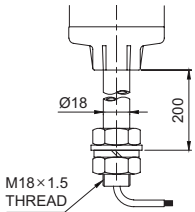
单位: mm


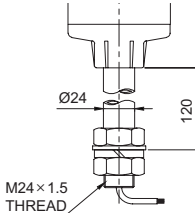
· 18MM SCREW & NUT(标准)

· 24MM SCREW & NUT(标准)

安装铝管的标准型产品,在铝管的尾端有螺纹,配有固定所需要的螺母。

材质: Steel


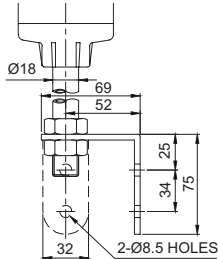
外形	尺寸及产品应用
 <p>18mm SCREW & NUT (标准型)</p>	 <p>ST45 / ST56 Series, STG40 / STG50 Series, STC45 / STC56 Series, QTG50 / QTG60 Series, QTC50 / QTC60 Series, QTR50 / QTR60 Series, QT50 Series, QTG60-WIZ Series, MTG50 / MTG60 Series, MTC50 / MTC60 Series, MTR50 / MTR60 Series, EST56 Series, ST45 / ST56-ETN Series, QTG50 / QTG60-ETN Series, QTC50 / QTC60-ETN Series, QTR50 / QTR60-ETN Series, ST45 / ST56-USB Series, QTG50 / QTG60-USB Series, QTC50 / QTC60-USB Series, QTR50 / QTR60-USB Series</p>


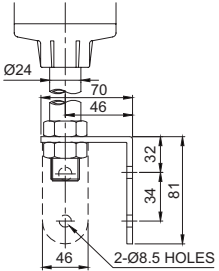
 <p>24mm SCREW & NUT (标准型)</p>	 <p>ST80 Series, STC80 Series, QTG70 Series, QTC70 Series, QTR70 Series, QT70 Series, QTG70-WIZ Series, MTG70 Series, MTC70 Series, MTR70 Series, QAT80 Series, ST80-ETN Series, QTG70-ETN Series, QTC70-ETN Series, QTR70-ETN Series, ST80-USB Series, QTG70-USB Series, QTC70-USB Series, QTR70-USB Series</p>
--	--

· LB18 | LB24

带铝管的标准产品上组装(L)型支架的产品,在墙面等垂直面安装时使用。

材质: Steel

外形	尺寸及产品应用
 <p>LB18</p>	 <p>ST45 / ST56 Series, STG40 / STG50 Series, STC45 / STC56 Series, QTG50 / QTG60 Series, QTC50 / QTC60 Series, QTR50 / QTR60 Series, QT50 Series, QTG60-WIZ Series, MTG50 / MTG60 Series, MTC50 / MTC60 Series, MTR50 / MTR60 Series, EST56 Series, ST45 / ST56-ETN Series, QTG50 / QTG60-ETN Series, QTC50 / QTC60-ETN Series, QTR50 / QTR60-ETN Series, ST45 / ST56-USB Series, QTG50 / QTG60-USB Series, QTC50 / QTC60-USB Series, QTR50 / QTR60-USB Series</p>

 <p>LB24</p>	 <p>ST80 Series, STC80 Series, QTG70 Series, QTC70 Series, QTR70 Series, QT70 Series, QTG70-WIZ Series, MTG70 Series, MTC70 Series, MTR70 Series, QAT80 Series, ST80-ETN Series, QTG70-ETN Series, QTC70-ETN Series, QTR70-ETN Series, ST80-USB Series, QTG70-USB Series, QTC70-USB Series, QTR70-USB Series</p>
---	---

多层信号灯固定支架

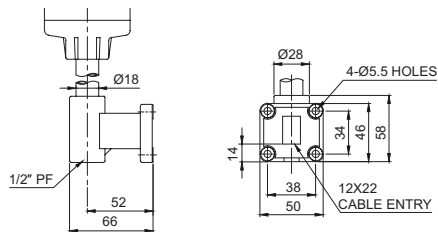
单位: mm

· LW18 | LW24

高端型垂直安装支架,在墙面等垂直面安装时使用,电源线可以直接从墙面或铝管下部引出,铝管的尾端可以组装防水螺丝或电线管。

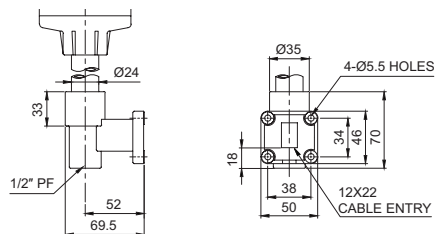
材质: ABS
颜色: Ivory

外形 尺寸及产品应用



LW18

ST45 / ST56 Series, STG40 / STG50 Series, STC45 / STC56 Series, QTG50 / QTG60 Series, QTC50 / QTC60 Series, QTR50 / QTR60 Series, QT50 Series, QTG60-WIZ Series, MTG50 / MTG60 Series, MTC50 / MTC60 Series, MTR50 / MTR60 Series, EST56 Series, ST45 / ST56-ETN Series, QTG50 / QTG60-ETN Series, QTC50 / QTC60-ETN Series, QTR50 / QTR60-ETN Series, ST45 / ST56-USB Series, QTG50 / QTG60-USB Series, QTC50 / QTC60-USB Series, QTR50 / QTR60-USB Series



LW24

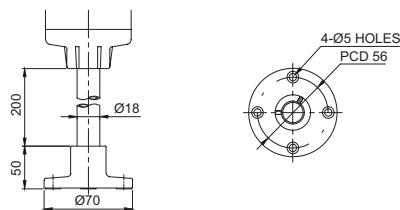
ST80 Series, STC80 Series, QTG70 Series, QTC70 Series, QTR70 Series, QT70 Series, QTG70-WIZ Series, MTG70 Series, MTC70 Series, MTR70 Series, QAT80 Series, ST80-ETN Series, QTG70-ETN Series, QTC70-ETN Series, QTR70-ETN Series, ST80-USB Series, QTG70-USB Series, QTC70-USB Series, QTR70-USB Series

外形 尺寸及产品应用

· SZ18 | SZ24

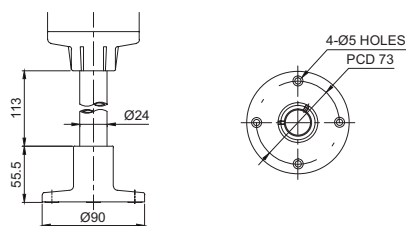
产品安装到水平面时使用的圆形支架。

材质: Al
颜色: Silver



SZ18

ST45 / ST56 Series, STG40 / STG50 Series, STC45 / STC56 Series, QTG50 / QTG60 Series, QTC50 / QTC60 Series, QTR50 / QTR60 Series, QT50 Series, QTG60-WIZ Series, MTG50 / MTG60 Series, MTC50 / MTC60 Series, MTR50 / MTR60 Series, EST56 Series, ST45 / ST56-ETN Series, QTG50 / QTG60-ETN Series, QTC50 / QTC60-ETN Series, QTR50 / QTR60-ETN Series, ST45 / ST56-USB Series, QTG50 / QTG60-USB Series, QTC50 / QTC60-USB Series, QTR50 / QTR60-USB Series



SZ24

ST80 Series, STC80 Series, QTG70 Series, QTC70 Series, QTR70 Series, QT70 Series, QTG70-WIZ Series, MTG70 Series, MTC70 Series, MTR70 Series, QAT80 Series, ST80-ETN Series, QTG70-ETN Series, QTC70-ETN Series, QTR70-ETN Series, ST80-USB Series, QTG70-USB Series, QTC70-USB Series, QTR70-USB Series

多层信号灯固定支架

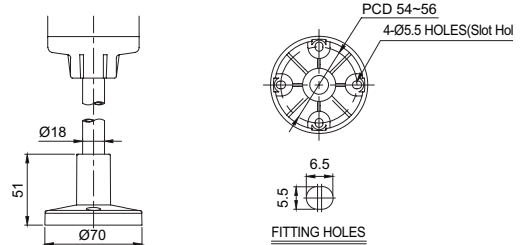
单位: mm

· QZ18 | QZ24

产品安装到水平面时使用的圆型支架。

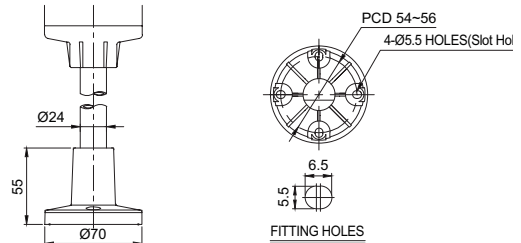
材质: ABS
颜色: Black

外形 尺寸及产品应用



QZ18

ST45B, ST45BF, ST45L, ST45LF, ST56B, ST56BF, ST56L, ST56LF, ST56EL, ST56ELF, STC45L, STC56EL, STC56L, QT50L, QT50LF, QT50LS, QT50LR, STG40L, STG40LF, STG50L, STG50LF



QZ24

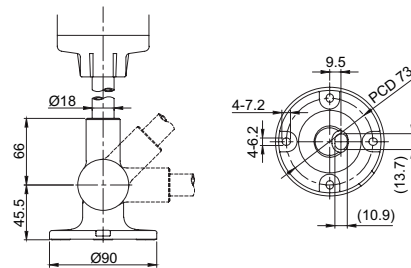
ST80B, ST80BF, ST80L, ST80LF, ST80EL, ST80ELF, STC80L, STC80LF, STC80EL, STC80ELF, QT70L, QT70LF, QT70LS, QT70LR

· SL18 | SL24

可以调整0-180度(可调间隔15度),在水平面、垂直面、斜面等任何平面上均可方便安装。

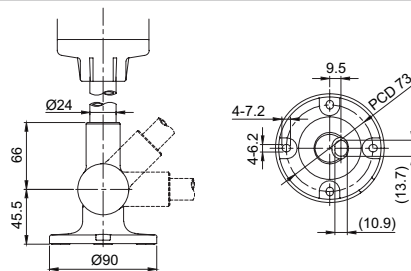
材质: Al
颜色: Silver

外形 尺寸及产品应用



SL18

ST45B, ST45BF, ST45L, ST45LF, ST56B, ST56BF, ST56L, ST56LF, ST56EL, ST56ELF, STC45L, STC56EL, STC56L, QT50L, QT50LF, QT50LS, QT50LR, STG40L, STG40LF, STG50L, STG50LF



SL24

ST80B, ST80BF, ST80L, ST80LF, ST80EL, ST80ELF, STC80L, STC80LF, STC80EL, STC80ELF, QT70L, QT70LF, QT70LS, QT70LR


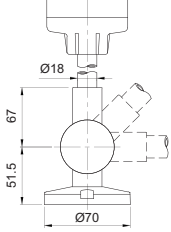
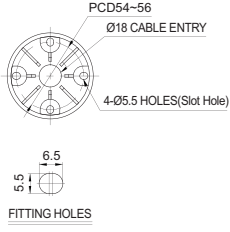

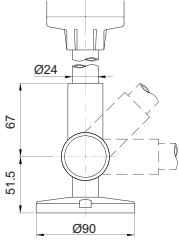
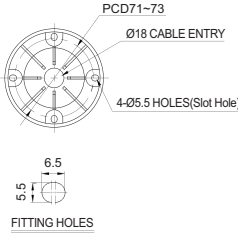
多层信号灯固定支架

单位: mm

· QL18 | QL24

可以调整0-180度(可调间隔15度),在水平面、垂直面、斜面等任何平面上均可方便安装。

材质: ABS
颜色: Black

外形	尺寸及产品应用	
		
<p>QL18</p>	<p>ST45B, ST45BF, ST45L, ST45LF, ST56B, ST56BF, ST56L, ST56LF, ST56EL, ST56ELF, STC45, STC56EL, STC56L, QT50L, QT50LS, QT50LR, STG40L, STG40LF, STG50L, STG50LF</p>	
		
<p>QL24</p>	<p>ST80B, ST80BF, ST80L, ST80LF, ST80EL, ST80ELF, STC80L, STC80LF, STC80EL, STC80ELF, QT70L, QT70LF, QT70LS, QT70LR</p>	